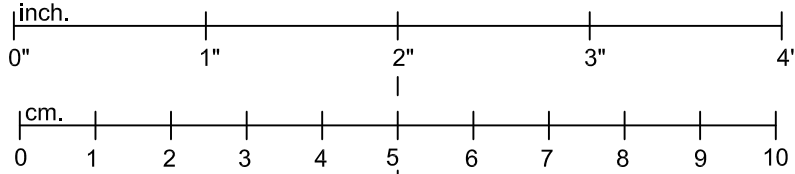


1. STOP

VERIFY ALL DIMENSIONS TO ENSURE THAT THIS PRINT IS 1 TO 1 SCALE.

2. MEASURE

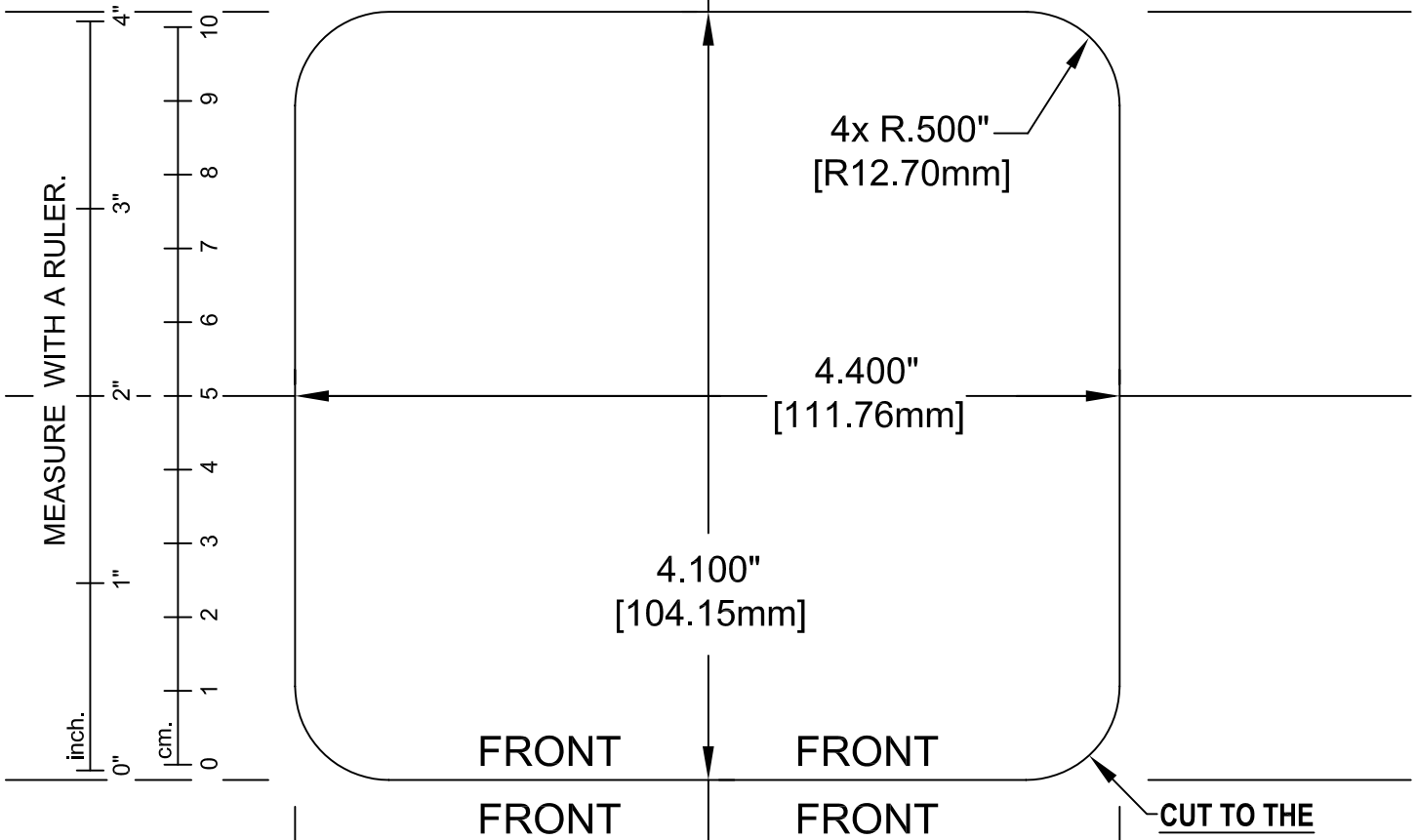


MEASURE WITH A RULER.

3. CUT

Document p/n:
250-0974-001
Page 1 of 1

THIS IS A PRECISION CUT-OUT TEMPLATE.
DO NOT SCALE OR ADJUST!



ALTINEX, INC. IS NOT RESPONSIBLE FOR ANY DAMAGE TO A TABLE OR DESK.

ALTINEX, INC. MODEL NUMBERS:
DS801-121 DS801-121C
AC300-121



1. STOP

2. MEASURE

3. CUT