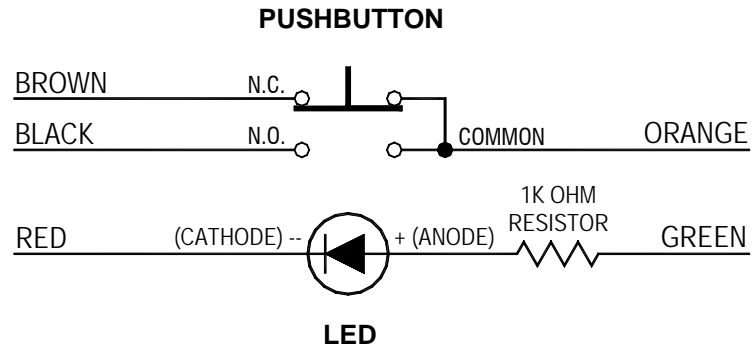




WIRE IDENTIFICATION: CM11313

SCHEMATIC DIAGRAM



- BROWN WIRE: PUSHBUTTON - NORMALLY CLOSED**
- BLACK WIRE: PUSHBUTTON - NORMALLY OPEN**
- ORANGE WIRE: PUSHBUTTON - COMMON**
- RED WIRE: LED - (CATHODE)**
- GREEN WIRE: LED + (ANODE)**

NOTE: LED FUNCTION IS INDEPENDENT OF PUSHBUTTON FUNCTION