

Welcome!

We greatly appreciate your purchase of the CNK280 Cable-Nook Interconnect Box. We are sure you will find it reliable and simple to use. Superior performance for the right price, backed by solid technical and customer support is what ALTINEX has to offer.

We are committed to providing our customers with Signal Management Solutions[®] to the most demanding audiovisual installations at very competitive pricing and we welcome you to join the ranks of our many satisfied customers throughout the world.

1. Precautions and Safety Warnings

Please read this manual carefully before using your CNK280. Keep this manual handy for future reference. These safety instructions are to ensure the long life of your CNK280 and to prevent fire and shock hazards. Please read them carefully and heed all warnings.

1.1 General

- Qualified ALTINEX service personnel or its authorized representative must perform all service.

1.2 Installation Precautions

- Place the CNK280 in a dry area away from dust and moisture.
- To prevent fire or shock, do not expose this unit to water or moisture. Do not place the CNK280 in direct sunlight, near heaters or heat radiating appliances, or near any liquid. Exposure to direct sunlight, smoke, or steam can harm internal components.
- Handle the CNK280 carefully. Dropping or jarring can damage the unit.

2. Installation Procedures

Cable Preparation

Caution: Before starting, go to www.altinex.com and download table cutout requirements, templates, and detailed installation instructions with diagrams.

- Step 1. Prepare the cables that will be used with the CNK280. The cables should be long enough to be pulled up through the CNK280 and used with the corresponding equipment.
- Step 2. Bundle the cables together using a protective sheath, meshed sleeve, etc. The overall diameter of the bundle should be less than 0.75 in (19 mm).
- Step 3. Run the sleeving as close as feasible to the ends of the cable leaving the free ends only long enough for making connections to the equipment on the table. This will make extracting the cables during operation easier and help make routing the wires under the table cleaner and neater.
- Step 4. It is important to use a Velcro, or other temporary type strap, to hold the ends of the cables together when not in use. Connect the free ends of the cables together placing the strap as close as possible to the connectors. This also prevents an individual cable from sliding beneath the cable entry point on the unit.

Table Preparation/Installation

Warning: ALTINEX recommends using a professional to make the cutout. Always confirm dimensions before cutting to insure specifications have not changed.

- Step 1. Cut an opening into the table's surface for the CNK280 using the template and measurements provided on the ALTINEX website. The CNK280 is designed to fit tabletops 0.25-3.0 in (6-76 mm) thick.
- Step 2. Insert the CNK280 into the table cutout. (See Diagram 3 for proper alignment.)
- Step 3. Secure the unit to the table using the clamp, brackets, and thumbscrews provided. (See Diagram 4 for details.)
- Step 4. Route the cables through the bottom of the unit and install the plastic donut as shown in the downloaded diagrams. The plastic donut prevents the cables from falling or being pulled out the bottom of the enclosure.
- Step 5. Use the cable clamp provided to mount the bundled cables to the bottom of the tabletop. Place the clamp about 10-12 in (254-305 mm) from the CNK280.
- Step 6. Adjust the cable so the cable hangs in a "U" shape below the enclosure. There should be enough cable in the "U" for the user to pull the cables out of the CNK280 and connect them to their equipment.

3. Limited Warranty/Return policies

Please see the ALTINEX website at www.altinex.com for details on warranty and return policies.

- Never place fingers inside the openings in the back of the unit. This action could cause serious injury because of the sharp edges inside.
- Do not place heavy objects on top of the CNK280.
- Install all cables according to the instructions.

1.3 Cleaning

- Clean surfaces with a dry cloth. Never use strong detergents or solvents such as alcohol or thinner. Do not use a wet cloth or water to clean.

1.4 FCC Notice

- This device complies with Part 15 of the FCC Rules. Operation is subject to the following two conditions: (1) This device may not cause harmful interference, and (2) this device must accept any interference received, including interference that may cause undesired operation.
- This equipment has been tested and found to comply with the limits for a Class A digital device, pursuant to Part 15 of the FCC Rules. These limits are designed to provide reasonable protection against harmful interference when the equipment is operated in a commercial environment. This equipment generates, uses, and can radiate radio frequency energy and, if not installed and used in accordance with the instructions found herein, may cause harmful interference to radio communications. Operation of this equipment in a residential area is likely to cause harmful interference in which case the user will be required to correct the interference at his own expense.
- Any changes or modifications to the unit not expressly approved by ALTINEX, Inc. could void the user's authority to operate the equipment.

4. Technical Specifications

Specifications are subject to change. See www.altinex.com for up-to-date information.

Features/Description	CNK280
Inputs	n/a
Outputs	n/a
Compatibility	
CB380-101 AV Cable Bundle	AC Power+ 15-pin HD+ RJ-45+ 3.5 mm 10 ft cables
Accessories Included	
Mounting Hardware	Thumb Screws (2), Mounting Brackets (2), Clamp (1)

Table 1. CNK280 General

Mechanical	CNK280
Maximum Cable Bundle Diameter	0.750 in (19 mm)
Minimum Table Thickness	0.250 in (6 mm)
Maximum Table Thickness	3.000 in (76 mm)
Body Diameter	3.150 in (80 mm)
Overall Height	4.664 in (118 mm)
T° Operating	10°C-35°C
T° Maximum	50°C
Humidity	90% non-condensing
MTBF (calculations)	40,000 hrs (min.)

Table 2. CNK280 Mechanical

5. About Your CNK280

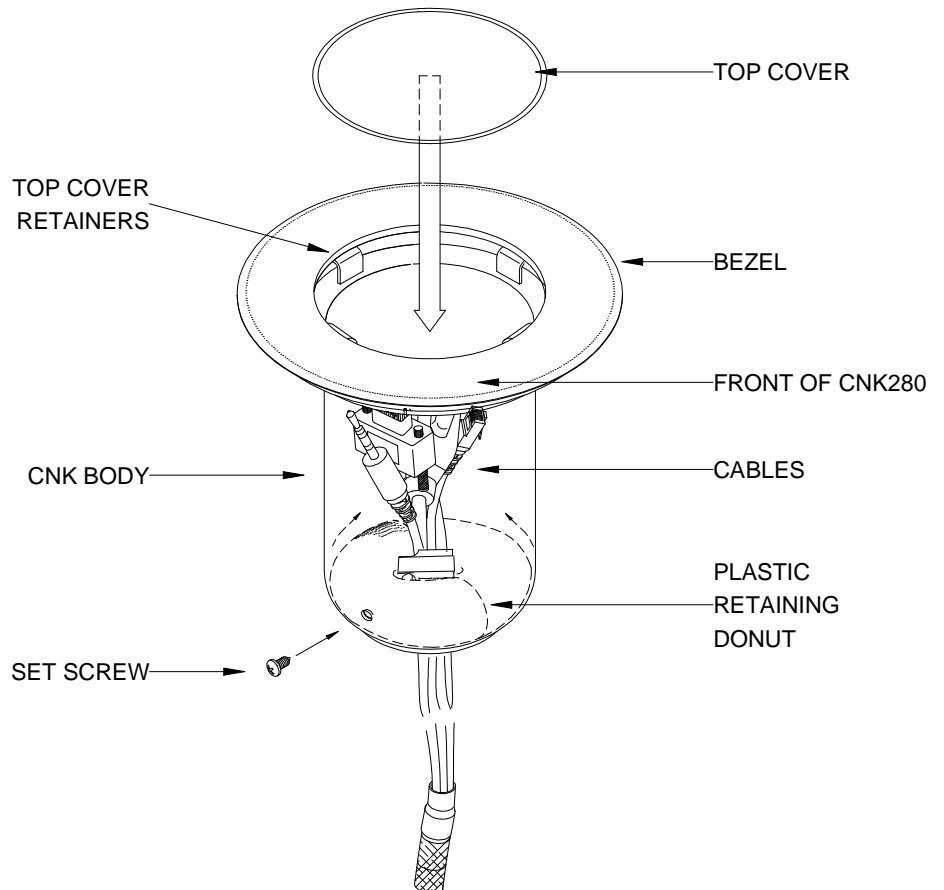
- Installs easily into tabletop
- Convenient access to cables
- Pre-configured cable options available
- Simple, cost-effective interconnect solution
- Fits table surfaces 0.25-3.00 in (6-76 mm) thick

Designed for boardrooms and conference rooms, the Cable Nook provides a simple, effective way of hiding/storing multimedia cables and connectors. The cables remain connected to a presentation system enabling the user to access connections to AC power, video, audio, and other media sources.

The CNK280 has a circular lid that remains flush with the table when not in use. To access the cables or connectors, simply press on the edge of the lid and the opposite end lid will tilt up allowing it to be removed. After the presentation, the cable ends are returned to the Cable Nook for safe and neat storage.

Cables feed through the Cable-Nook to the underside of the table, enabling connection to the presentation system. The weight of the cables helps to feed the slack through the unit and the cable ends are kept from falling by a special adjustable retaining bracket.

The CNK280 is an empty enclosure designed for purchase with a preconfigured cable assembly such as the CB380-101. The CNK280 can also be purchased as a stand alone item allowing the end user to install his own cables.



6. Application Diagrams

Diagram 1: Typical Setup

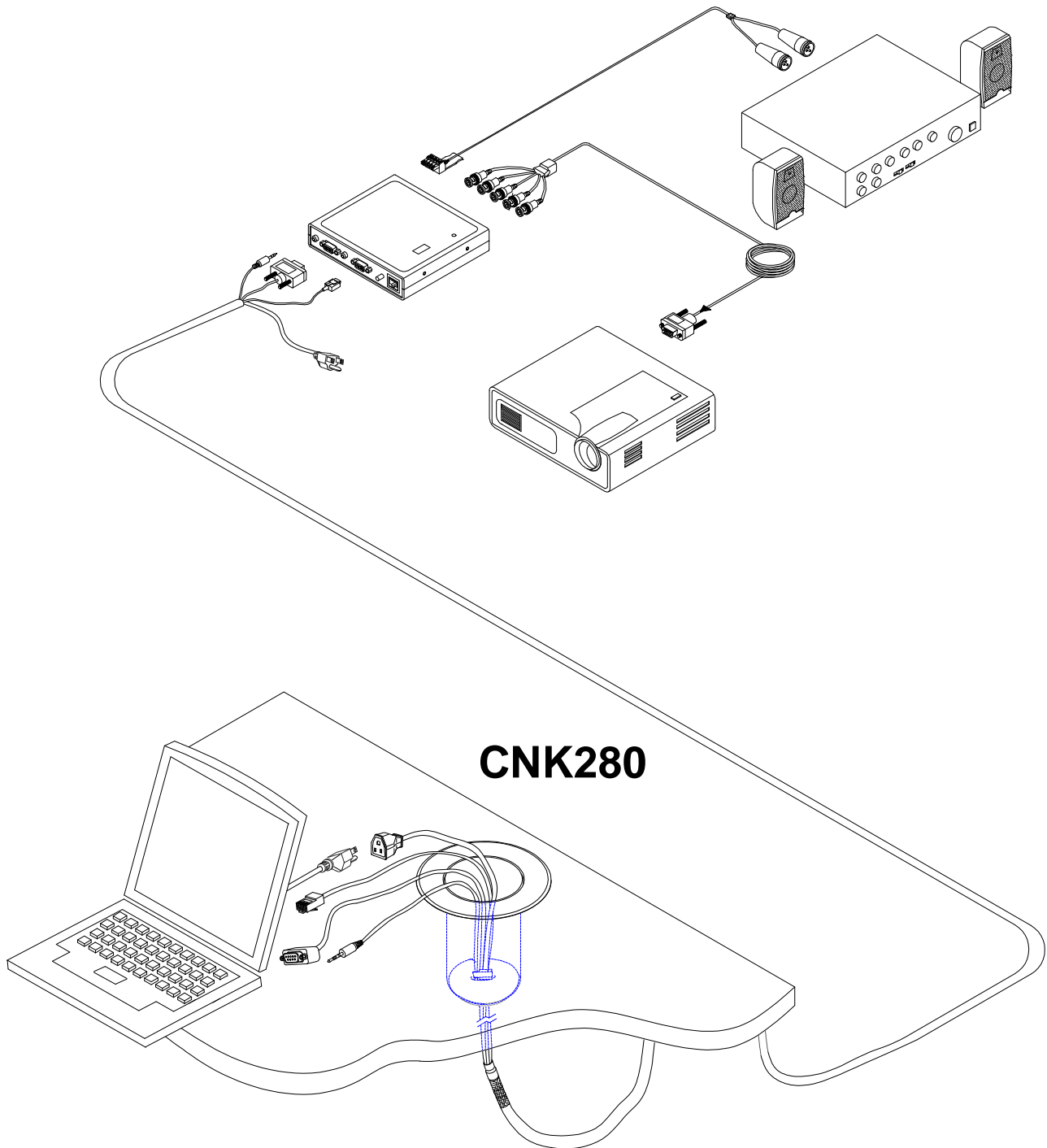


Diagram 2: CNK280 Dimensions

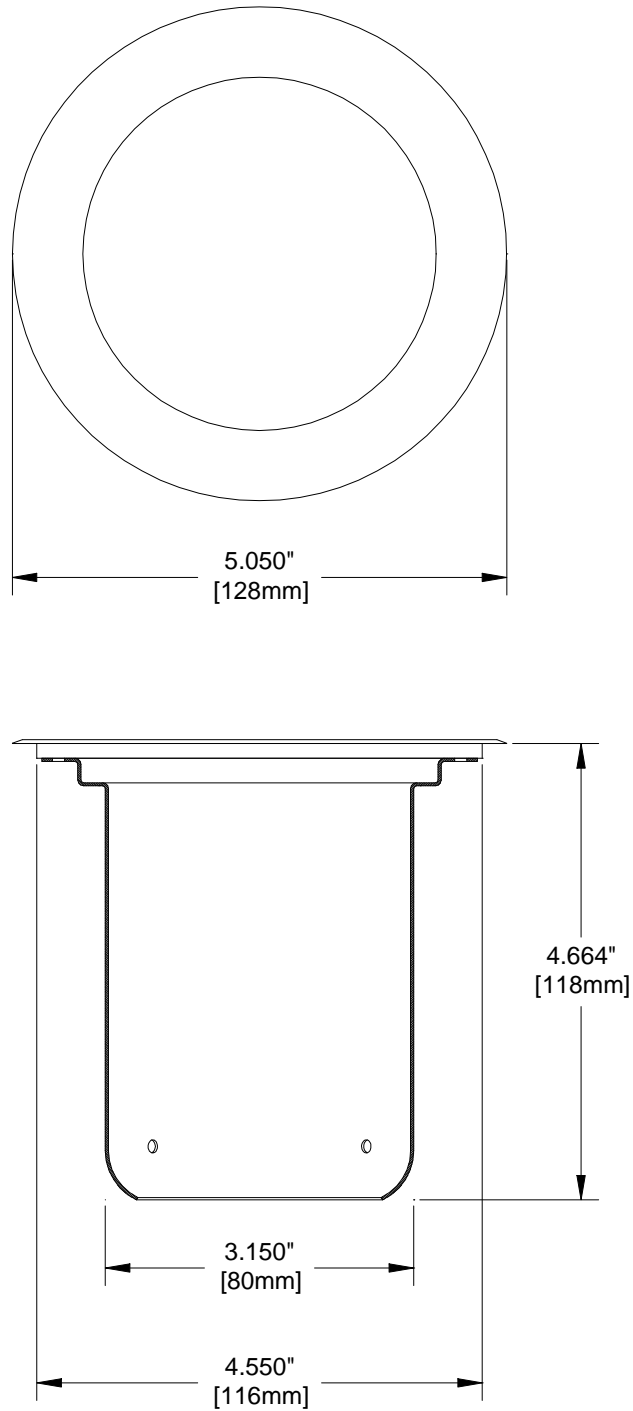
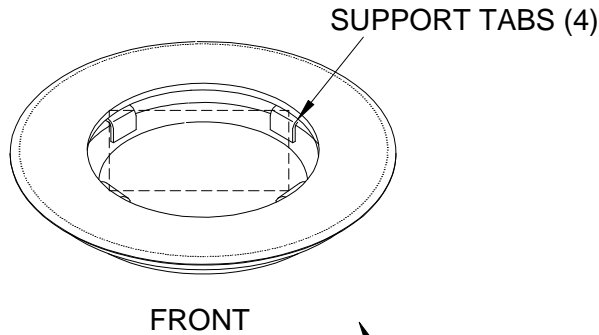
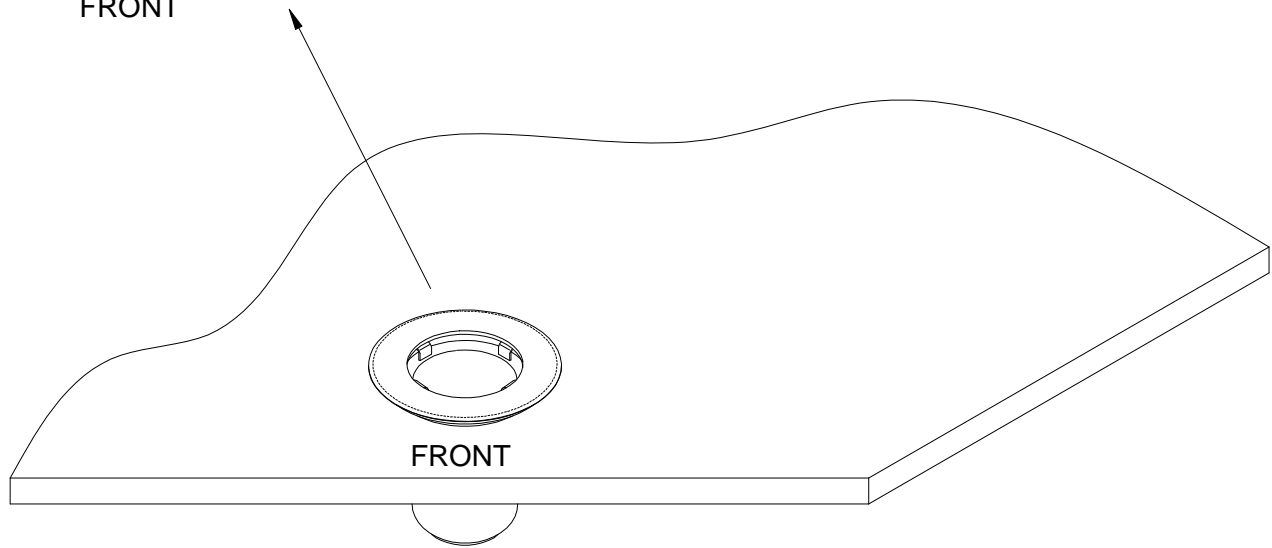


Diagram 3: Identify the Front

The top cover of the CNK280 is held in place by 4 supports. The cover is removed by pressing on the cover near the front of the unit. In order for the cover to be "popped" up by pressing the side nearest the front of the table, the front of the CNK280 must be aligned with the front of the table.



1. Identify the 4 support tabs as viewed from the top. These tabs form a rectangle.
2. Use either of the long axes to identify the front of the unit.
3. Install the CNK280 into the table with one of these axes parallel to the table.
4. Mount the CNK280 to the table using the hardware and instructions provided.



PRESS HERE
TO "POP" UP
THE COVER

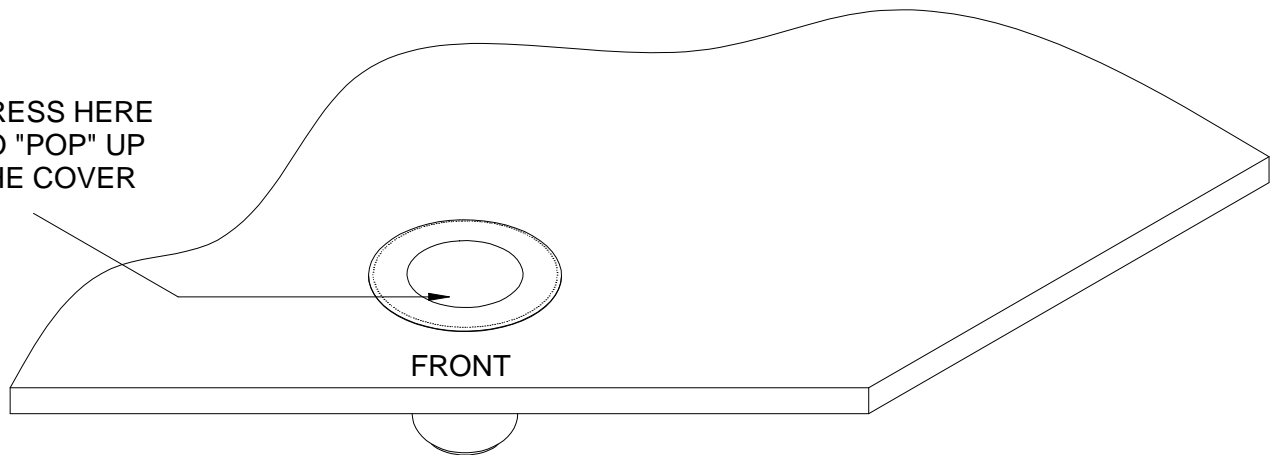


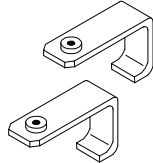
Diagram 4: Mounting

MOUNTING HARDWARE

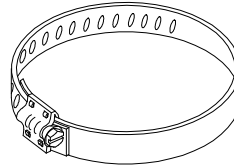
THUMB SCREWS



MOUNTING BRACKETS



WORM-DRIVE CLAMP



MOUNTING EXAMPLE

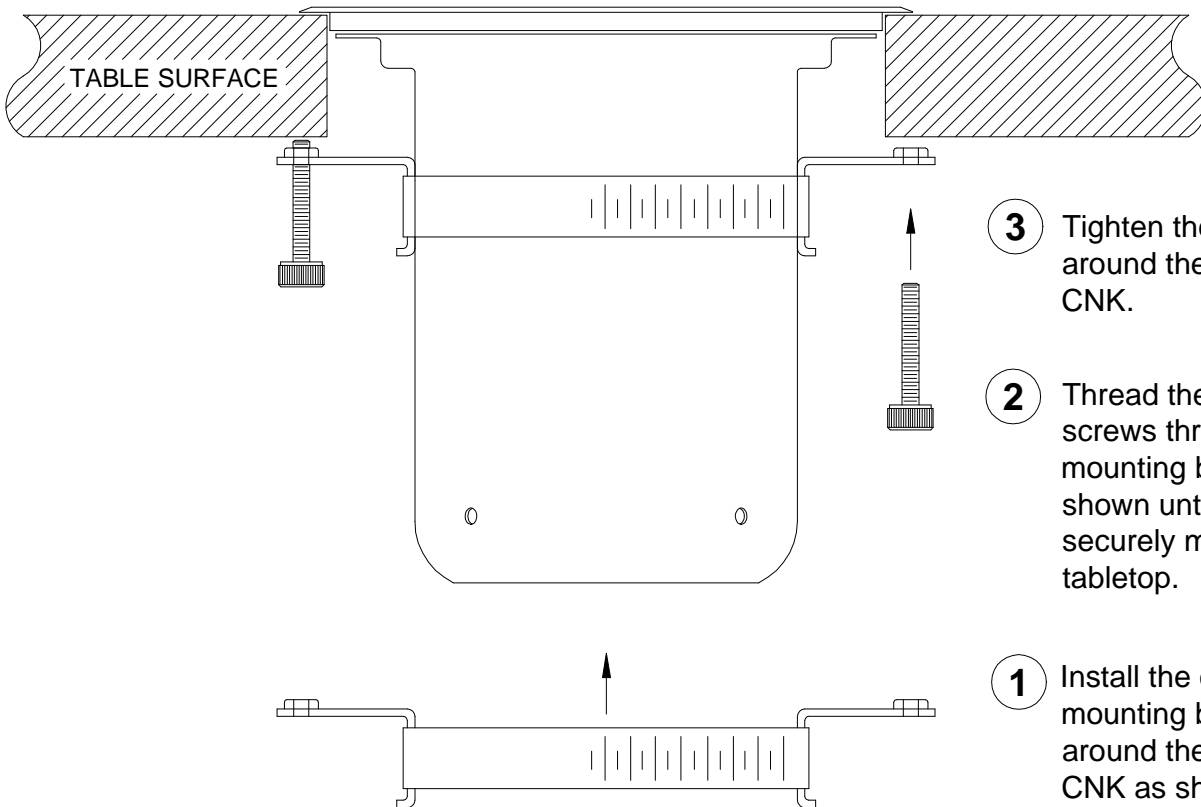
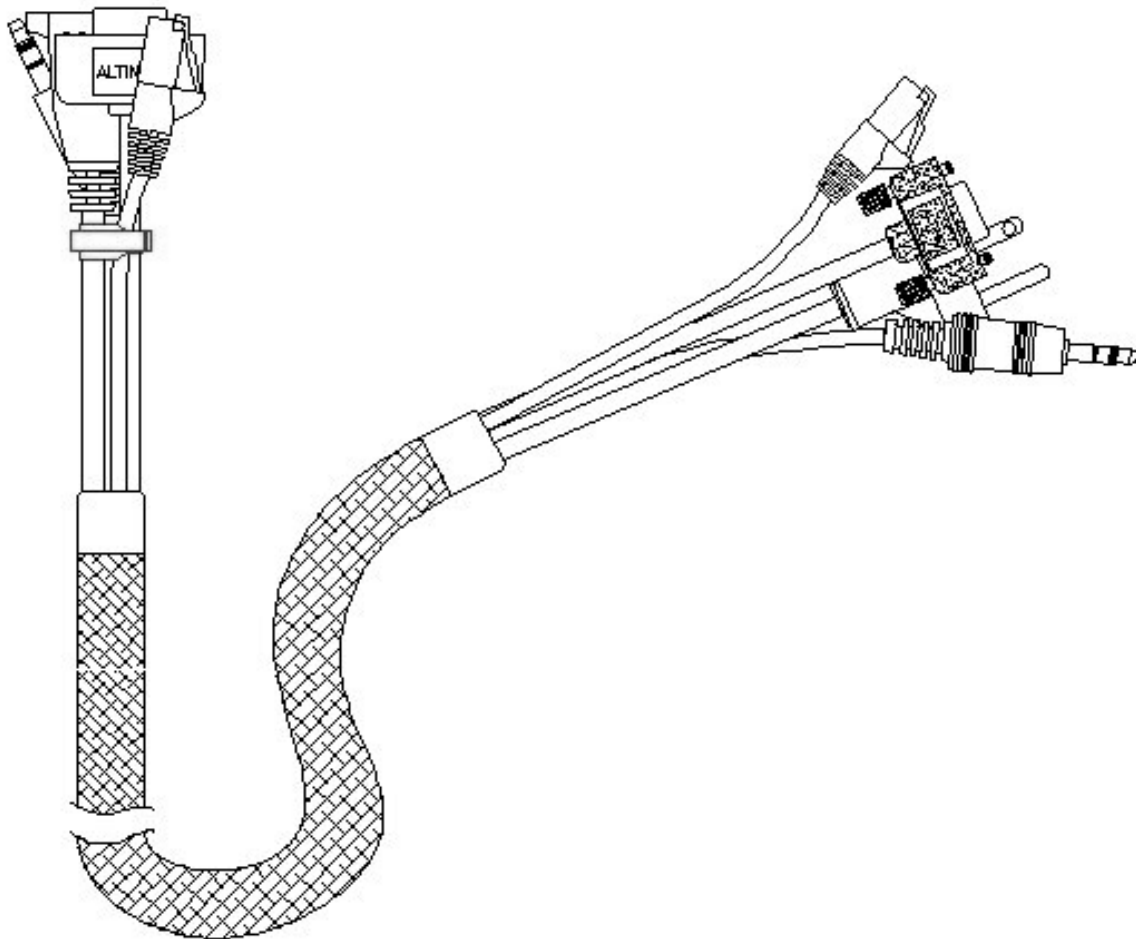


Diagram 2: CB380-101

HD-15+ RJ-45 (CAT-5) + 3.5MM+ POWER

CB380-101 = 10 ft (3 m)



7. Operation

7.1 Accessing the CNK280

The CNK280 will open easily when the top is pressed down near the edge of the cover.

When the CNK280 is not in use, simply press the cover back into place so that it is level with the surface of the table.

7.2 Power/Signal Connections

Connect external devices to the appropriate connector from the CNK280. Remember, the devices plugged into the AC power connectors should not draw more than the rated values of the cables and/or circuit.

8. Troubleshooting Guide

The CNK280 supplied was carefully tested and no problems were detected. However, we would like to offer the following suggestions:

- Please make sure that the highest quality network cables are used.
- Make sure that no cable or power cord is damaged or pinched. If there has been damage, do not use the CNK280. Please call the ALTINEX Customer Service Department at (714) 990-2300 to have the unit repaired.