

Welcome!

We greatly appreciate your purchase of your Tilt 'N Plug Jr. (TNP JR.) Interconnect Box. We are sure you will find it reliable and simple to use. Superior performance for the right price, backed by solid technical and customer support is what ALTINEX has to offer.

We are committed to providing Signal Management Solutions® to our customers for the most demanding audiovisual installations at very competitive pricing and we welcome you to join the ranks of our many satisfied customers throughout the world.

1. Precautions and Safety Warnings

Please read this manual carefully before using your Tilt 'N Plug Jr. Interconnect Box. Keep this manual handy for future reference. These safety instructions are to ensure the long life of your Tilt 'N Plug Jr. and to prevent fire and shock hazards. Please read them carefully and heed all warnings.

1.1 General

- Unauthorized personnel shall not open the unit as there are high-voltage components inside.
- Qualified ALTINEX service personnel or their authorized representatives must perform all service.

1.2 Installation Precautions

- For best results, place the Tilt 'N Plug Jr. in a dry area away from dust.
- To prevent fire or shock, do not expose this unit to water or moisture. Do not place the unit in direct sunlight, near heaters or heat-radiating appliances, or near any liquid. Exposure to direct sunlight, smoke, or steam can harm internal components.
- Handle the Tilt 'N Plug Jr. carefully. Dropping or jarring can damage the bezel.
- Never place fingers inside the opening on either side of the unit. This action could cause injury due to sharp edges inside.
- Do not place heavy objects on top of the Tilt 'N Plug Jr. Do not use excessive force to push down on the top of the unit.

- Disconnect the power cord to turn off the power. This supplies power to the socket on the pop-up panel. The power outlet should be installed near the equipment and be easily accessible.
- We recommend using wall outlets with a Ground Fault Circuit Interrupter (GFCI) for maximum protection.
- Install all cables according to the instructions found herein. Do not force or pull any cable that is attached to the Tilt 'N Plug Jr.

1.3 Cleaning

- Surfaces should be cleaned with a dry cloth. Never use strong detergents or solvents such as alcohol or thinner. Do not use a wet cloth or water to clean the unit.

1.4 FCC Notice

- This device complies with Part 15 of the FCC Rules. Operation is subject to the following two conditions: (1) This device may not cause harmful interference, and (2) this device must accept any interference received, including interference that may cause undesired operation.
- This equipment has been tested and found to comply with the limits for a Class A digital device, pursuant to Part 15 of the FCC Rules. These limits are designed to provide reasonable protection against harmful interference when the equipment is operated in a commercial environment. This equipment generates, uses, and can radiate radio frequency energy and, if not installed and used in accordance with the instructions found herein, may cause harmful interference to radio communications. Operation of this equipment in a residential area is likely to cause harmful interference in which case the user will be required to correct the interference at his expense.
- Any changes or modifications to the unit not expressly approved by ALTINEX, Inc. could void the user's authority to operate the equipment.

2. Installation Procedures

Step 1. Cut an opening into the table's surface. Refer to the ALTINEX website at www.altinex.com for table cutout requirements.

Note: The table can be 2.25" or less in thickness. Always confirm dimensions before cutting to insure that specifications have not changed.

Step 2. Insert the Tilt 'N Plug Jr. into the table cutout.

Step 3. Place the support brackets under the table between the support mount grooves on the side of the Tilt 'N Plug Jr. Attach the brackets to the groove at the desired height and secure them to the bottom of the table using the thumb screws provided.

Step 4. Secure the cables by using the provided cable clamps and screws included with the unit. Pass the power cord from the bottom of the housing and attach it to the table using the cable clamp and screw supplied with the Tilt 'N Plug Jr.

Leave enough slack in the service loop to allow for easy opening and closing, but not too much as to cause excess drooping of the service loop.

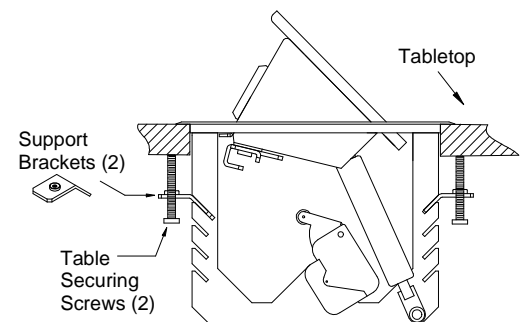
Step 5. Connect the appropriate cables with the correct input connectors on the bottom of the unit.

Step 6. Once you have applied power and connected the proper cables on the bottom of the unit you may raise the unit. To raise the Tilt 'N Plug Jr. into position, push down on the front of the top cover; the latching mechanism will then release, allowing the pneumatic spring to raise it into position.

Step 7. To lower the unit, push on the top of the Tilt 'N Plug Jr. until it locks into place.

3. Limited Warranty/Return policies

Please see the ALTINEX website at www.altinex.com for details on warranty and return policies.



4. Technical Specifications

Specifications are subject to change. See www.altinex.com for up-to-date information.

Features/Description	TNP121/121C/131
Pass-Through	
AC Power	9-10 ft (2.7-3.0 m)
110 VAC, 60 Hz, 5 A	NEMA F-M
Audio, Video, Communication *	6 ft (2 m)
Computer Video	15-pin HD F-M (1)
Stereo Audio	3.5 mm F-M (1)
Network	RJ-45 F-M (1)
Modem	RJ-11 F-M (1)
Agency Approval	
UL Listed	File E254082
Accessories Included	
Hardware	-Mounting screws/brackets -Cable clamps/screws

Table 1. TNP121/121C/131 General

Features/Description	TNP122/142
Pass-Through	
AC Power	9-10 ft (2.7-3.0 m)
110 VAC, 60 Hz, 5 A	NEMA F-M
Audio, Video, Communication	6 ft (2 m)
Computer Video	15-pin HD F-M (2)
Computer Audio	3.5mm F-M (2)
Network	CAT-6 (RJ-45) F-M (2)
Modem	RJ-11 F-M (2)
Agency Approval	
UL Listed	File E254082
Accessories Included	
Hardware	-Mounting screws/brackets -Cable clamps/screws

Table 2. TNP122/142 General

Features/Description	TNP151/151C
Pass-Through	
AC Power	9-10 ft (2.7-3.0 m)
110 VAC, 60 Hz, 5 A	NEMA F-M
Audio, Video, Communication *	6 ft (2 m)
Network	CAT-6 (RJ-45) F-M (2)
Agency Approval	
UL Listed	File E254082
Accessories Included	
Hardware	- Mounting screws and brackets - Cable clamps/screws

Table 3. TNP151/151C General

Mechanical	TNP121/121C/131/151/151C
Max. Table Thickness	2.25 in (57 mm)
Height, opened	5.5 in (140 mm)
Width (TNP121/151)	4.6 in (117 mm)
Diameter (TNP131)	5.8 in (147 mm)
Depth (TNP121/151)	4.9 in (124 mm)
Weight (approx.)	2.8 lb (1.3 kg)
Shipping Weight	4.5 lb (2.0 kg)
Finish	Matte Black
T°Operating (T°Max)	10°C-35°C (40°C)
Humidity	90% non-condensing

Table 4. TNP121/121C/131/151/151C Mechanical

Mechanical	TNP122/142
Max. Table Thickness	2.25 in (57 mm)
Height, opened	5.5 in (140 mm)
Width	8.7 in (221 mm)
Depth	4.9 in (124 mm)
Finish	Matte Black
Weight (approx.)	3.7 lb (1.7 kg)
Shipping Weight	5.4 lb (2.5 kg)
T°Operating	10°C-35°C
T°Maximum	40°C
Humidity	90% non-condensing

Table 5. TNP122/142 Mechanical

Electrical (Single outlet panel)	TNP121/121C/122/131/142
Power Rating (pass-through AC power)	110VAC, 60Hz, 5A per connector

Table 6. TNP121/121C/122/131/142 Electrical

Electrical (Dual outlet panel)	TNP151 and TNP151C
Power Rating (pass-through AC power)	110VAC, 60Hz, 2.5A per connector

Table 7. TNP151/151C Electrical

* Customizable on the TNP121C and TNP151C.

5. About Your Tilt 'N Plug Jr. Interconnect Box

All Tilt 'N Plug Jr. products belong to a family of compact interconnection solutions designed for installation into a table as part of a presentation system. They are designed for mounting into a table, podium, or other furniture to provide a way of connecting audiovisual equipment on top of the furniture to a presentation system below the furniture.

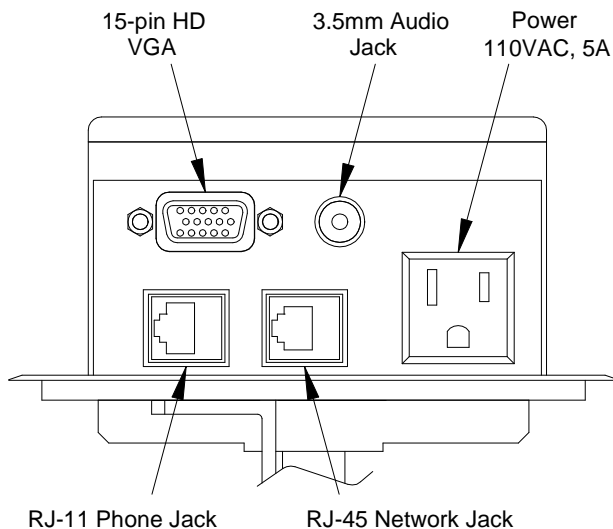
All use the same core element; a multimedia input plate that can be "tilted" open when needed and pushed closed when not needed.

The TNP122 and TNP142 each incorporate two Tilt 'N Plug Jr. modules and are operated independently. The TNP142 is the same as a TNP122, but with the modules factory-installed facing in opposite directions. The TNP131 is the same as a TNP121, but with a round bezel instead of a square bezel.

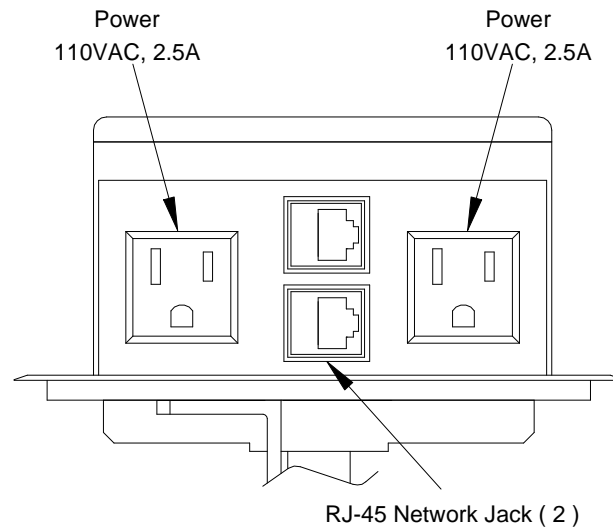
All signals pass through the input plate directly to cables on the underside of the table with no intervening circuitry. The use of additional ALTINEX Signal Management Solutions such as computer video interfaces, distribution amplifiers, and switchers may be desirable.

The input plate of the Tilt 'N Plug Jr. is accessible by pushing down on the top cover. The unit then auto-tilts open with help from an internal pneumatic spring. Once open, the input plate remains securely in place. The input plate is hidden by pressing down on the top cover until the latching mechanism engages. In its closed position, the top panel lies flush with the tabletop, held in place by the latching mechanism.

All Tilt 'N Plug Jr. Signal Management Solutions come with a standard top and bezel offering a high quality matte black finish. Other finishes or special bezel configurations are available upon request. Please contact an ALTINEX representative to discuss custom options.



TNP121 Faceplate



TNP151 Faceplate

6. Application Diagrams

Diagram 1: Round Bezel Dimensions (TNP131)

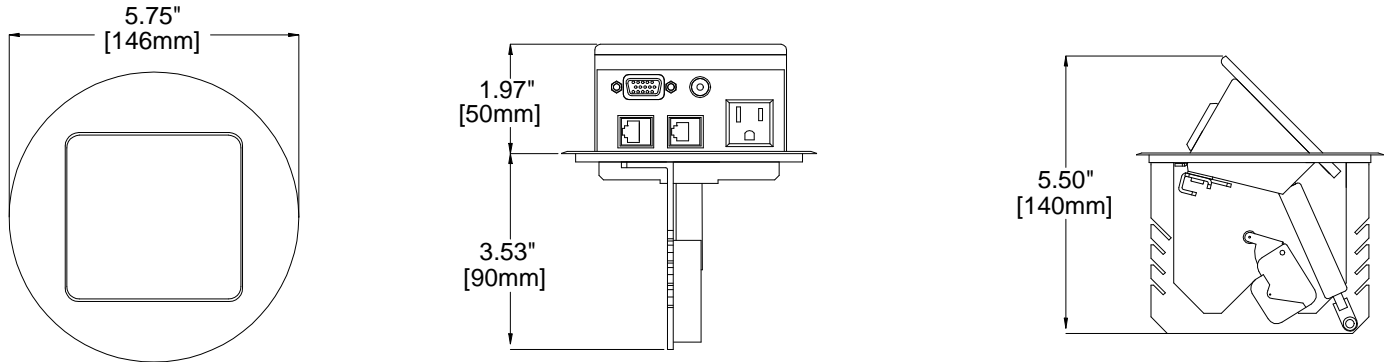


Diagram 2: Single Unit Dimensions (TNP121, TNP121C, TNP151, TNP151C)

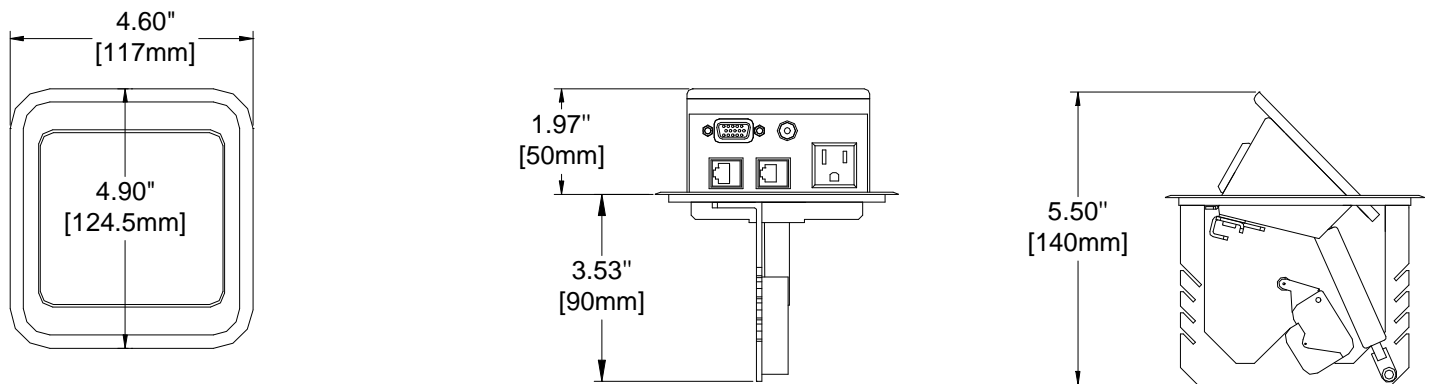
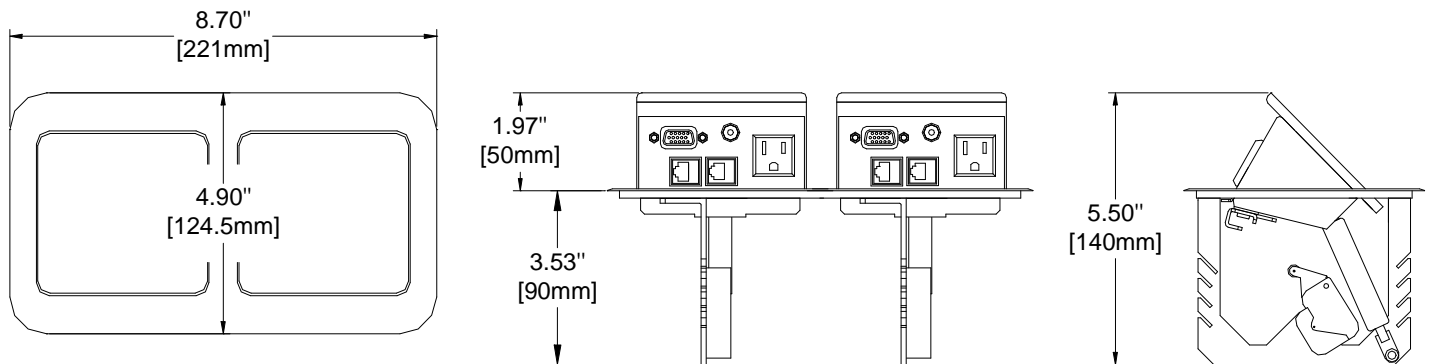


Diagram 3: Dual Unit Dimensions (TNP122, TNP142)



7. Operation

7.1 Opening and Closing the Tilt 'N Plug Jr.

The Tilt 'N Plug Jr. will open easily when the top is pressed down and then released.

When the Tilt 'N Plug Jr. is not in use, simply press the top down until it is level with the surface of the table and then release. The unit will remain hidden until needed again.

7.2 Power/Signal Connections

Connect external devices to the appropriate connector on the Tilt 'N Plug Jr. Remember, the devices plugged into the AC power connectors should not draw more than 5A AC.

8. Troubleshooting Guide

The Tilt 'N Plug Jr. supplied was carefully tested and no problems were detected. However, we would like to offer the following suggestions:

- Please make sure that the highest quality network cables are used.
- Make sure that no cable or power cord is damaged or pinched. If there has been damage, do not use the Tilt 'N Plug Jr. Please call the ALTINEX Customer Service Department at (714) 990-2300 to have the unit repaired.
- If the unit does not rise into position correctly, check the service loops for the signal and power cords on the bottom of the unit.