

## Basic courtroom design using MT2426CV

### Introduction

Designing audio visual systems for courtrooms offers unique challenges in routing and monitoring video signal distribution. In many cases special arrangements are made to allow a preview of all information by both plaintiff and defendant, then pass it through a judge, and finally display it for the jury. MultiTasker is easily configured to do all these tasks and much more.

### Standard configuration

To simplify the design of an effective courtroom system, we have pre-configured a simple, ready to use, courtroom solution. The MT2426CV provides all necessary functionality for a standard courtroom application.

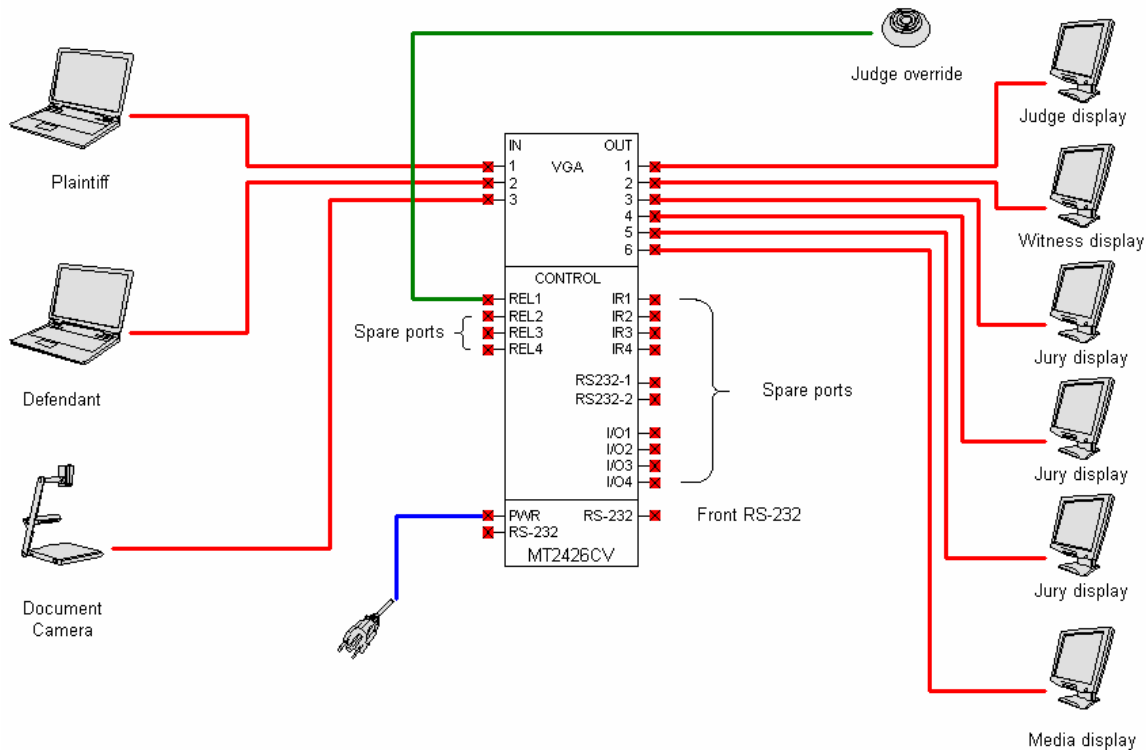


Figure 1. System diagram

The MT2426CV has 3 VGA inputs with 6 VGA outputs that can handle any resolution from VGA to UXGA. The outputs on the system can be individually turned ON or OFF allowing easy control on what the witnesses and jury can see.

In addition a special judge override pedal is provided for shutting down the whole system if a judge finds any information inappropriate for viewing by the jury. The judge override pedal is designed for activation by foot or gavel.

Once the judge override switch is activated, all VGA outputs from the MT2426CV are turned OFF to blank all monitors. Later, individual monitors can be turned ON using the front panel keys on the MultiTasker.

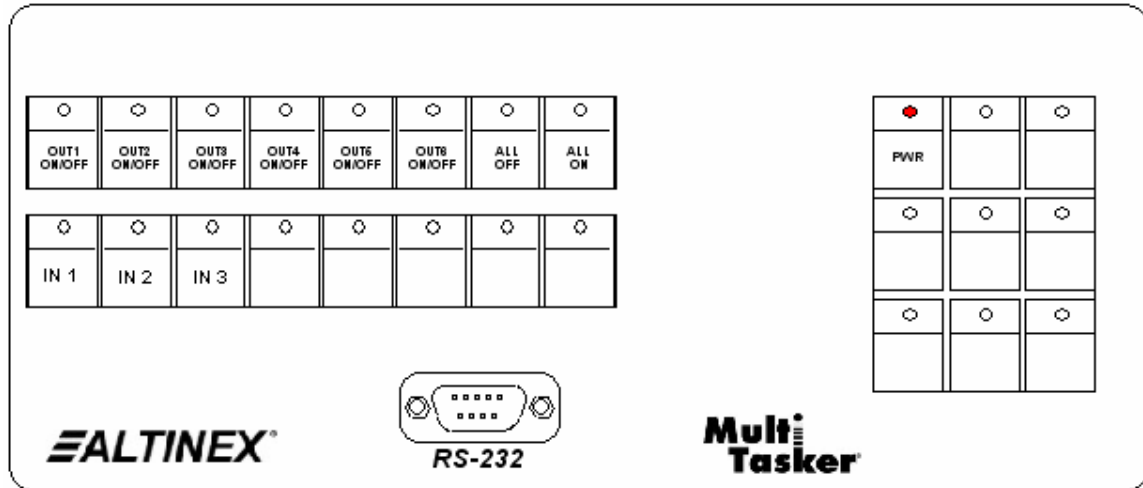


Figure 2. Front panel controls

The front panel control is easy to use and can be re-programmed to fit most of the applications. Top row keys are used to select monitors to be turned ON or OFF, and the lower row keys are for selecting inputs. Additional keys are available on the right keypad when custom programming is desired.

### System diagram

A typical courtroom layout is shown on Figure 3. Depending on the courtroom layout, video and control cables may be run up in the ceiling or under the floor. For VGA cables ALTINEX suggests that you use high quality coaxial cable with pre-made 15 pin connectors on each end. For best performance and picture quality it is recommended to limit VGA cables to 150 ft total length.

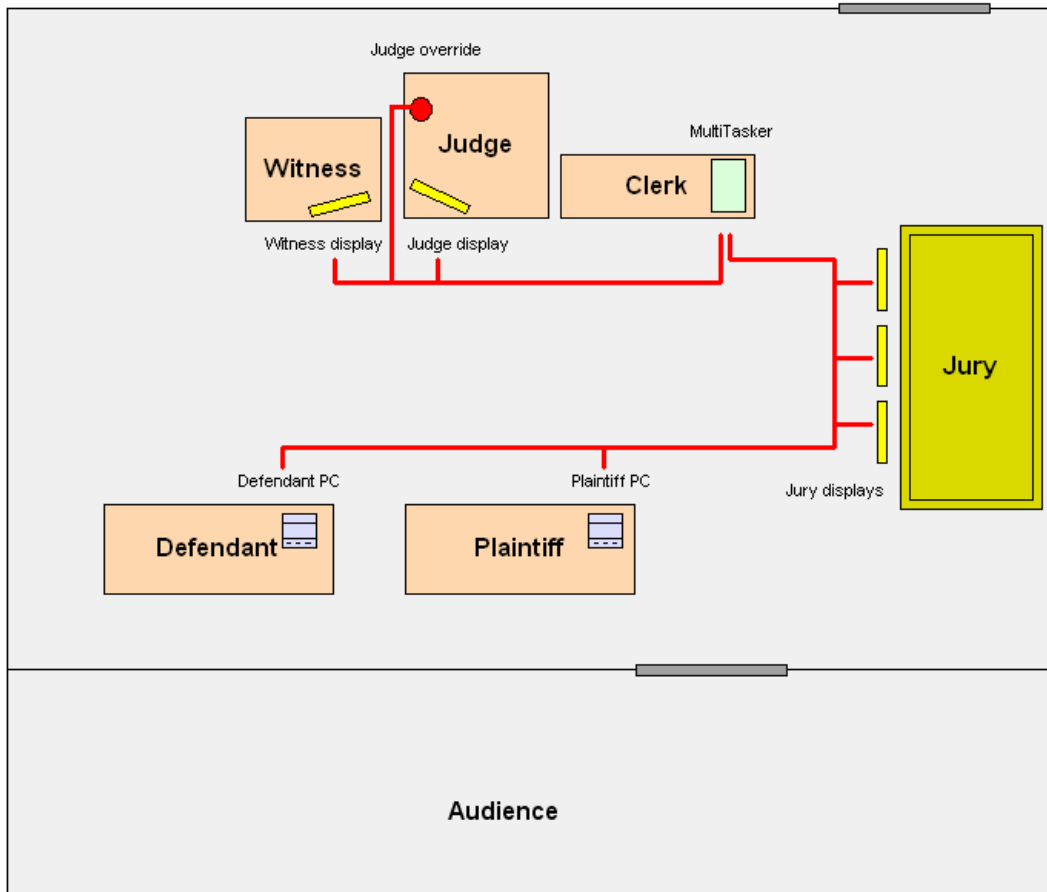


Figure 3. Typical courtroom layout

The judge override button RC5205CV included in the package, has a 50ft control cable using standard 22 AWG stranded wire with 2 conductors, and can be extended up to 200ft.

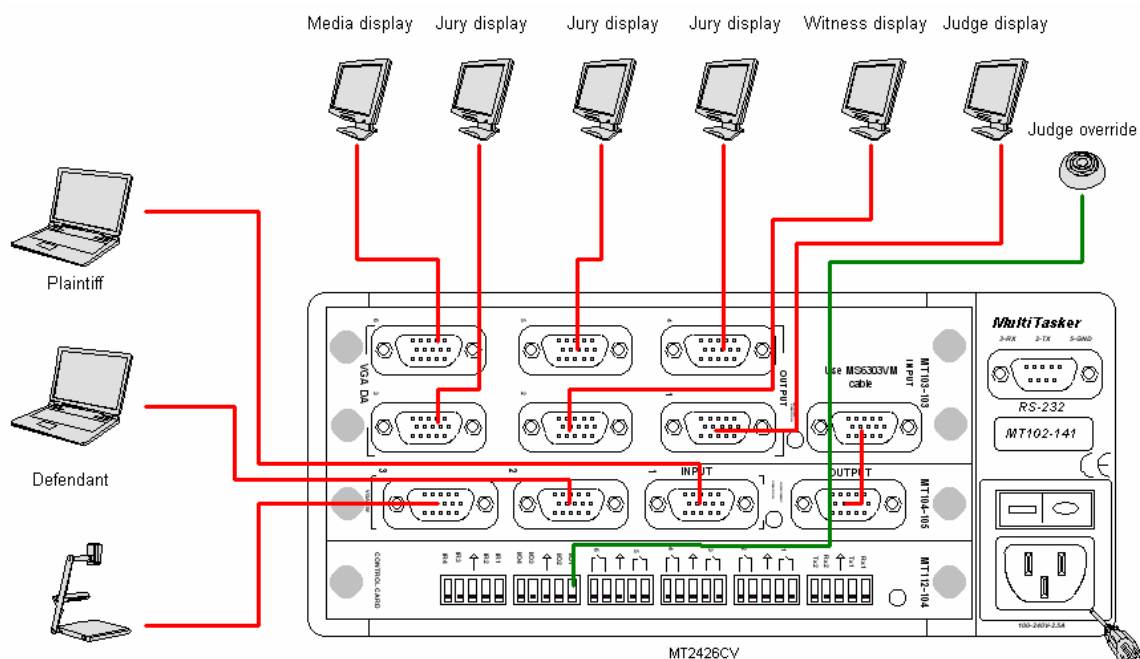


Figure 4 System connection diagram

The MX2426CV comes fully pre-programmed and is configured to be Plug and Play compatible with different laptops. Each input to the switcher has built in PnP memory and is fully compliant to VESA specification for PnP monitors. All standard resolutions are pre-programmed and will automatically configure your PC for proper operation.

## **Conclusion**

The MX2426CV CourtView system is built using the Altinex MultiTasker platform. MultiTasker is a completely modular and configurable system with flexibility to address any courtroom application.

MultiTasker based courtroom solutions offer simplicity of installation and ease of set up. They come fully pre-programmed and ready for operation out of the box. The MultiTasker family of products provides the flexibility needed to design a courtroom AV system that meets the most demanding requirement of a real time operation.